

SHIMANO

SHIMANO EUROPA

Industrieweg 24 NL-8071 CT Nunspeet, Holland
Phone 31-3412-72222

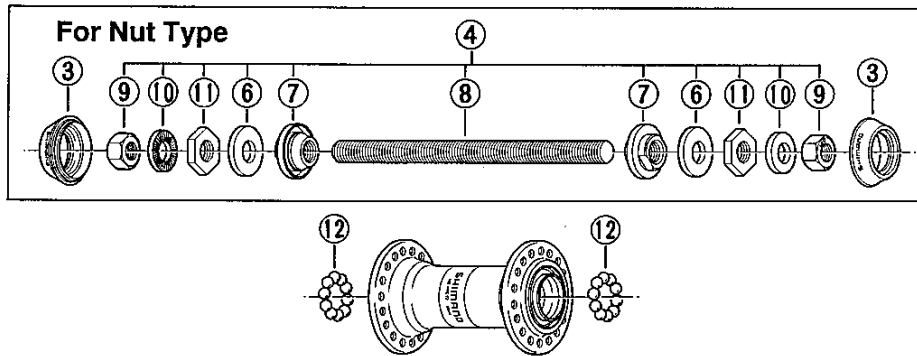
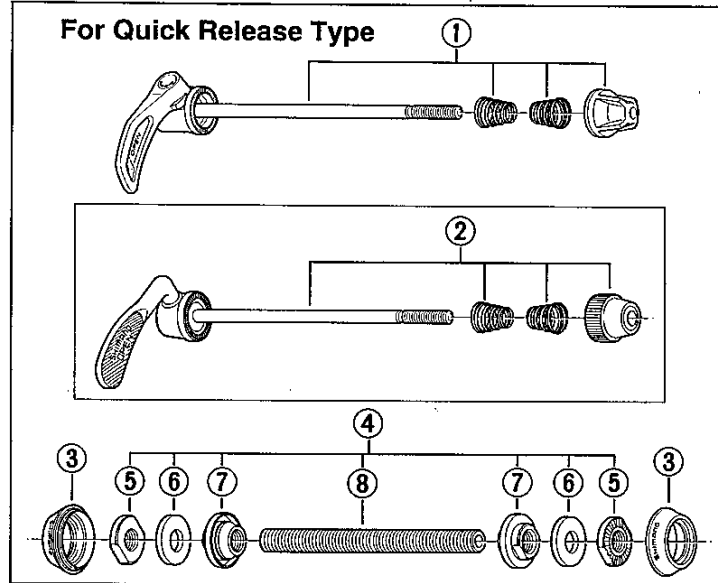
SHIMANO AMERICAN CORPORATION

One Shimano Drive, P.O. Box 19615, Irvine,
California U.S.A. 92713-9615 Phone 714-951-5003

Small parts list for after market.

- You may photocopy this sheet and use it as an order form.
- Sie können dieses Blatt kopieren und als Bestellformular verwenden.
- Vous pouvez photocopier cette feuille et l'utiliser comme bon de commande.
- Dit blad kan gecopieerd en als bestelformulier gebruikt worden.
- Potete fotocopiare questo foglio e usarlo come modulo di commissione.

SHIMANO ALVIO Front Hub HB-MC12-P



Q'TY	ITEM NO.	PART NO.	DESCRIPTION
	1	22K 9010	Complete Quick Release 133 mm (5-1/4")
	2	21C 9011	Complete Quick Release 129 mm (5-3/32")
	3	21H 0400	Rubber Seal
	4	21H 9807	Complete Hub Axle 108 mm (4-1/4") for Quick Release Type
		22H 9801	Complete Hub Axle 140 mm (5-1/2") for Nut Type
	5	21H 0810	Serrated Lock Nut 3 mm for Quick Release Type
	6	21H 1020	Washer 2 mm
	7	21H 9808	Cone M9 x 10.4 mm w/Dust Cover
	8	21C 0310	Hub Axle 108 mm (4-1/4") for Quick Release Type
		21D 0520	Hub Axle 140 mm (5-1/2") for Nut Type
	9	21D 0200	Fixing Nut
	10	21D 0300	Rollet Washer 2 mm
	11	21D 0401	Lock Nut 3 mm for Nut Type
	12	000 9121	Steel Ball (3/16") 20 pcs.

Over Lock Nut Dimensions: Quick Release Type / Nut Type ··· 100 mm (3-15/16")

01 Printed in Japan 9608-1445C