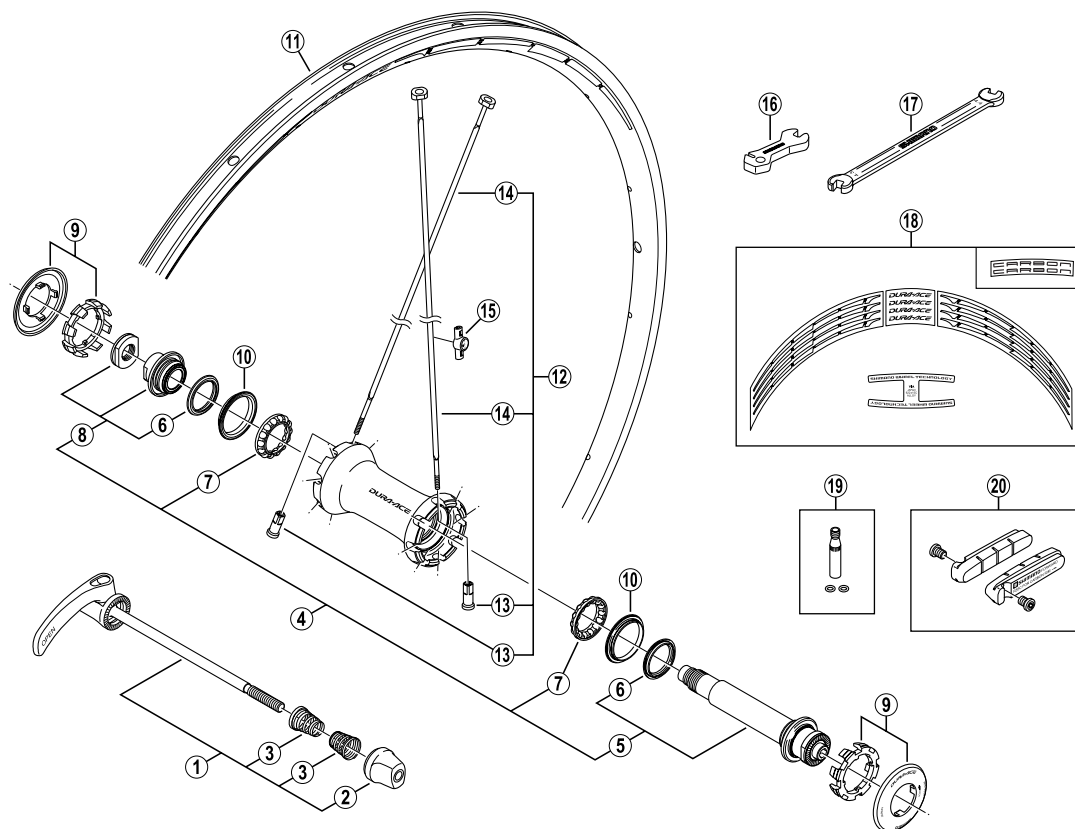


DURA-ACE Front Wheel  
**WH-7801-F** Clincher / Tubular  
**WH-7801-Carbon-F**



ITEM NO.	SHIMANO CODE NO.	DESCRIPTION
1	Y-25R 98010	Complete Quick Release 133 mm (5-1/4")
2	Y-25R 98020	Quick Release Nut
3	Y-233 21000	Volute Spring
4	Y-4BN98010	Complete Hub Axle 99.3 mm (3-15/16")
5	Y-4BN98020	Hub Axle Unit 99.3 mm (3-15/16")
6	Y-4BN08000	Seal Ring
7	Y-4BN98030	Ball Retainer (5/32")
8	Y-4BN98040	Left Hand Lock Nut Unit
9	Y-4BN98060	Hub Cap & Hub Body Cap
10	Y-4BN05000	Inner Dust Cap
11	I-WHRIMTFGFC	Rim for Clincher {16H / Anodized (78' Color) / Clincher}
	I-WHRIMTFGFT	Rim for Tubular {16H / Anodized (78' Color) / Tubular}
	I-WHRIMVFGCT	Rim for Carbon {16H / Tubular}
12	I-WHSPOKEUA1	Spoke Unit {Spoke (282 mm x 16 pcs.) / Spoke Washer (16 pcs.) / Nipple (16 pcs.)}
	I-WHSPOKEWA1	Spoke Unit for Carbon {Spoke (278 mm x 16 pcs.) / Spoke Washer (16 pcs.) / Nipple (16 pcs.)}
13	Y-012 Z4200	Nipple
14	Y-4C0 98010	Spoke (282 mm) w/Washer
	Y-4C0 98020	Spoke (278 mm) w/Washer for Carbon
15	Y-4BN98080	Magnet Sensor
16	Y-4A0 08000	Nipple Wrench
17	Y-4A0 14000	TL-WH77 Nipple Wrench
18	Y-4BN98100	Rim Sticker Unit for Clincher
	Y-4C0 98030	Rim Sticker Unit for Tubular
	Y-4C0 98040	Rim Sticker Unit for Carbon
19	Y-4A0 98040	Valve Extension & O-Rings for Carbon
20	Y-8FA 98140	R55C Brake Shoes & Fixing Bolts (Pair) for Carbon Rim

Over Lock Nut Dimension: 100 mm (3-15/16")

0507-2515

Specifications are subject to change without notice.

**SHIMANO**